


FLX Lights for Fiberglass Pools

WARNING

FOR YOUR SAFETY – This product must be installed and serviced by a contractor who is licensed and qualified in pool equipment in accordance with the latest applicable version of AS/NZS 3000, along with any other applicable local or council codes/standards. Before installing this product, read and follow all warning notices and instructions that accompany this product. Failure to follow warning notices and instructions may result in property damage, personal injury, or death. Improper installation and/or operation may void the warranty.

Improper installation and/or operation can create unwanted electrical hazard which may cause serious injury, property damage, or death.

ATTENTION INSTALLER – This manual contains important information about the installation, operation and safe use of this product. This information should be given to the owner/operator of this equipment.

<p>WARRANTY REGISTRATION</p>	<p>Record your equipment details here for quick reference: Model No. : _____ Serial No. : _____</p>
	<p>AUSTRALIA WARRANTY: For full warranty terms and conditions and to register your warranty, visit www.astralpool.com.au/warranty and complete your details. ◀ Or scan the QR code to go directly to the registration page.</p>
	<p>NEW ZEALAND WARRANTY: For full warranty terms and conditions and to register your warranty, visit www.astralpool.co.nz/warranty and complete your details. ◀ Or scan the QR code to go directly to the registration page.</p>

EQUIPMENT INFORMATION RECORD

<p>EQUIPMENT INFORMATION RECORD</p>
<p>Date of Installation _____</p>
<p>Installer Information _____</p>
<p>Model _____</p>
<p>Notes _____</p>
<p>_____</p>
<p>_____</p>

Table of Contents

Section 1. Important Safety Instructions	4
Section 2. Technical Specifications.....	4
Section 3. Package Contents.....	5
Section 4. AstralPool FLX Fiberglass Light Installation	5

Section 1. Important Safety Instructions

READ AND FOLLOW ALL INSTRUCTIONS

⚠ WARNING

RISK OF ELECTRICAL SHOCK OR ELECTROCUTION. This underwater niche must be installed by a licensed or certified electrician in accordance with the National Electrical Code and applicable local codes and ordinances. Improper installation will create an electrical hazard, which could result in death or serious injury to pool or spa users, installers, or others due to electrical shock, and may also cause damage to property. Read and follow the specific instructions below.

Before installing this underwater niche, read and follow all warning notices and instructions accompanying this niche. Failure to follow safety warnings and instructions can result in severe injury, death, or property damage. Visit our website astralpool.com.au to download additional copies of these instructions.

NOTICE

The AstralPool Pool and Spa niches are intended for installation in fresh water and salt water swimming pools and spas. It is important to ensure that the lights in which the niches are installed are intended for their appropriate application, either fresh water or salt water.

⚠ WARNING

Do NOT connect to a 24VAC transformer as this will result in failure and void the warranty. The product is designed for 12VAC transformers only.

SAVE THESE INSTRUCTIONS

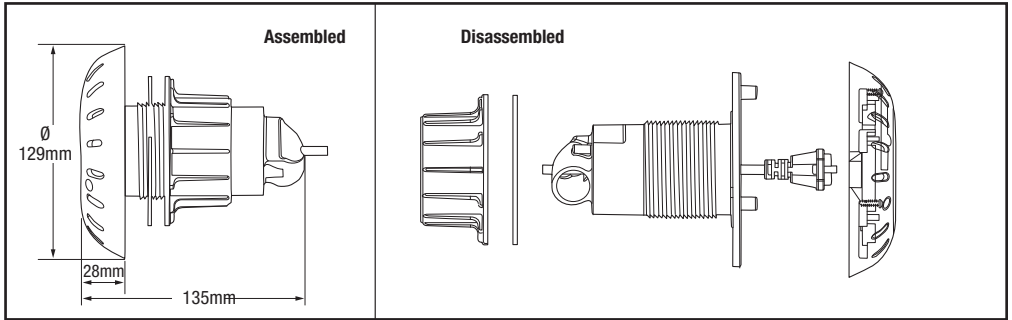
Section 2. Technical Specifications

Lights and transformers must be installed in accordance to AS/NZS 3000 standards.

NOTE: AstralPool lighting transformers are recommended.

Suitable for	New Fibreglass and A/G Vinyl Pools
Stainless Steel Option	No
Cable Lengths	20m or 35m cable
Cable Gauge	0.5mm ² , 2 core
Detachable Cable	Yes (Plug kit is factory-fitted to supply cable)
Operating Voltage	12V AC; Voltage Tolerance 20%
Rating	IPX8 Fault Protection Thermal Cutout
Temperature Range	1°C to 40°C
Run dry Protection	Enabled (Lights will dim when run dry)

	Multi-Colour
Power Consumption	20VA max
Light Colour	Program Dependent
Light Output	550lm



Section 3. Package Contents

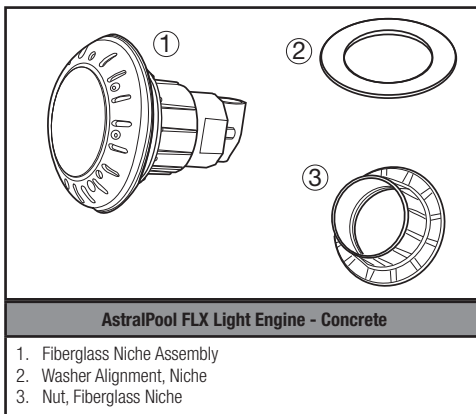


Table 1. Fiberglass Niche Assembly Contents

Section 4. AstralPool FLX Fiberglass Light Installation

AstralPool FLX lights are supplied complete and ready to use.

NOTE: All of the preset screws in this product are tightened to precise torques during the manufacturing process. Please DO NOT tighten any screws as permanent product damage may result!

1. It is recommended that lights are installed 400 mm below the water surface. There is 1.2m of cable inside the Niche to allow for servicing.
2. Before commencing work, confirm that the proposed light position is on a flat surface of the pool face and that no ribs or protrusions that would interfere with the locknut, are protruding from the outside face of the pool.
3. Use a 60mm hole saw to drill through the pool wall. Remove any debris that may catch on the cable or niche or may affect the sealing.
4. Carefully feed the cable through the hole in the pool wall. You don't need to uncoil the cable but you may need to squeeze the ends of the cable slightly to allow it to pass through.
5. Run a bead of silicone around the back face of the niche. Ensure the silicone runs as one continuous line approximately 10mm to 15mm in from the outer edge of the niche. See *Figure 1*.

NOTE: Care needs to be taken so that no silicone is squeezed out of this joint when the light is fitted to the pool face as this may affect servicing!

6. Fit the niche through the hole in the pool shell. Ensure the conduit connection point is facing upwards from the niche.

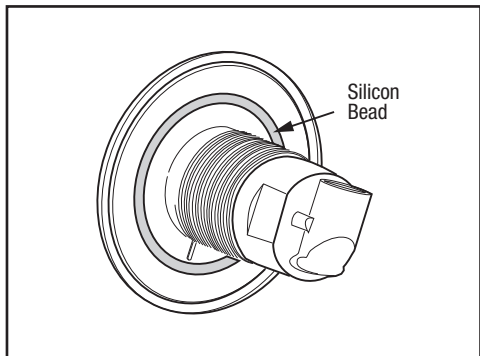


Figure 1. Apply Silicon to Fiberglass Niche

7. From outside of the pool, feed the Washer and then the Nut (large face first) onto the cable. Again, there is no need to uncoil the cable, but you may need to squeeze the ends of the cable slightly to allow it to pass through. Ensure that the Nut and Washer are free of debris. (Leave the Nut and Washer on the cable for now). See *Figure 2*.

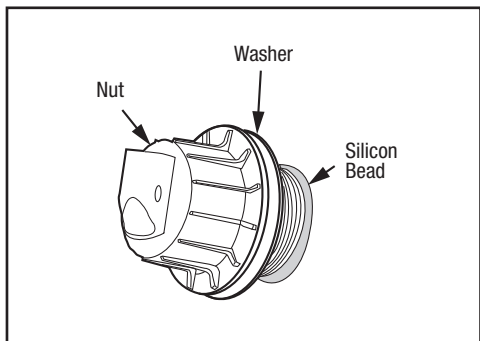


Figure 2. Secure Fiberglass Niche with Nut/Washer

8. Ensure that the niche is still in position against the pool wall (pull it towards yourself). Verifying that the conduit connection point is still facing upwards, apply a heavier bead of silicone into the hole in the pool wall. (Fill the area between the pool wall and the Niche and slightly onto the niche thread.). See *Figure 2*.
9. Move the washer and nut up onto the Niche and begin to tighten the nut. Use a spanner to keep the conduit connection point facing upwards and tighten the nut. See *Figure 3*.

NOTE: Hand Tighten Only!

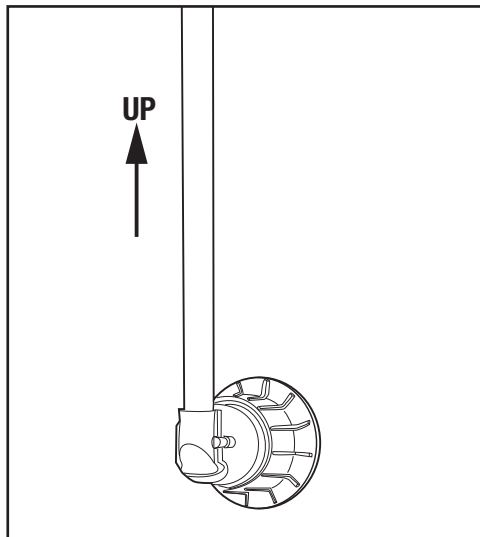
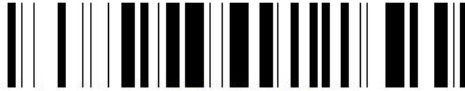


Figure 3. Fiberglass Niche Conduit

10. AstralPool recommends that a vertical length of conduit, finishing above the waterline, is glued into the conduit connection point. (The internal design of the niche allows for a new cable to be pulled through in the future if required).
11. Hold a piece of 20mm conduit under the lip of the pool and mark where this conduit meets the conduit connection point. Cut the conduit to this mark. Uncoil the light cable and feed it through the conduit. Apply a small amount of Type N PVC glue onto the conduit and fit it into the niche.
12. All AstralPool transformers are supplied with appropriate light cable connectors. The light cable can be shortened before it is connected to the transformer.

NOTES



H0812400

Fluidra Group Australia Pty Ltd

1 Herbert Place, Smithfield NSW 2164
PO Box 7238 Wetherill Park NSW 1851, Australia
ABN: 87 002 641 965
AstralPool.com.au | 1300 186 875

Fluidra NZ Ltd

13 Douglas Alexander Parade
Rosedale Auckland 0632, New Zealand
NZBN: 942 903 181 70759
AstralPool.co.nz | 0800 807 665

A Fluidra Brand

©2023 ASTRALPOOL is a registered trademark of FLUIDRA COMMERCIAL,
S.A.U., used under license. This document is subject to change without notice.

H0812400_REVA