


## SLX Light Engine

### **WARNING**

**FOR YOUR SAFETY** – This product must be installed and serviced by a contractor who is licensed and qualified in pool equipment in accordance with the latest applicable version of AS/NZS 3000, along with any other applicable local or council codes/standards. Before installing this product, read and follow all warning notices and instructions that accompany this product. Failure to follow warning notices and instructions may result in property damage, personal injury, or death. Improper installation and/or operation may void the warranty.

Improper installation and/or operation can create unwanted electrical hazard which may cause serious injury, property damage, or death.

**ATTENTION INSTALLER** – This manual contains important information about the installation, operation and safe use of this product. This information should be given to the owner/operator of this equipment.

<p>WARRANTY REGISTRATION</p>	<p>Record your equipment details here for quick reference:                  Model No. : _____                  Serial No. : _____</p>
	<p>AUSTRALIA WARRANTY:                  For full warranty terms and conditions and to register your warranty, visit <a href="http://www.astralpool.com.au/warranty">www.astralpool.com.au/warranty</a> and complete your details.                  ◀ Or scan the QR code to go directly to the registration page.</p>
	<p>NEW ZEALAND WARRANTY:                  For full warranty terms and conditions and to register your warranty, visit <a href="http://www.astralpool.co.nz/warranty">www.astralpool.co.nz/warranty</a> and complete your details.                  ◀ Or scan the QR code to go directly to the registration page.</p>

EQUIPMENT INFORMATION RECORD	
Date of Installation	_____
Installer Information	_____
Model	_____
Notes	_____
	_____
	_____

# Table of Contents

- Section 1. Important Safety Instructions .... 4**
- Section 2. Package Contents..... 4**
- Section 3. Light Engine Preparation..... 5**
- Section 4. New Installation..... 5**
  - 4.1 Concrete Pool Installation..... 5
  - 4.2 Flush Mount Installation..... 6
- Section 5. Existing Pool Retrofit..... 6**
  - 5.1 Concrete and Fiberglass Niche  
Installation..... 6
  - 5.2 Flush Mount Installation..... 6
  - 5.3 SLX 2.5m Cable Connection ..... 6

# Section 1. Important Safety Instructions

## READ AND FOLLOW ALL INSTRUCTIONS

### ⚠ WARNING

**RISK OF ELECTRICAL SHOCK OR ELECTROCUTION.** This underwater niche must be installed by a licensed or certified electrician in accordance with the National Electrical Code and applicable local codes and ordinances. Improper installation will create an electrical hazard, which could result in death or serious injury to pool or spa users, installers, or others due to electrical shock, and may also cause damage to property. Read and follow the specific instructions below.

Before installing this underwater niche, read and follow all warning notices and instructions accompanying this niche. Failure to follow safety warnings and instructions can result in severe injury, death, or property damage. Visit our website [astralpool.com.au](http://astralpool.com.au) to download additional copies of these instructions.

### NOTICE

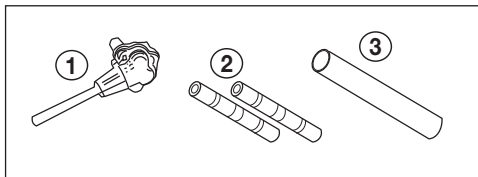
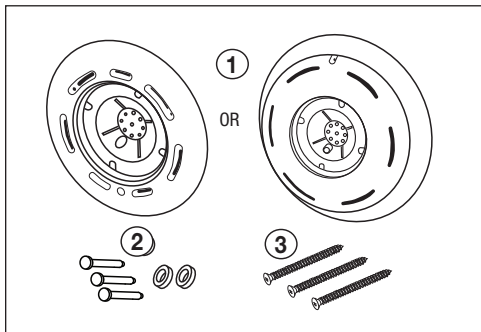
The AstralPool Pool and Spa niches are intended for installation in fresh water and salt water swimming pools and spas. It is important to ensure that the lights in which the niches are installed are intended for their appropriate application, either fresh water or salt water.

### ⚠ WARNING

Do NOT connect to a 24VAC transformer as this will result in failure and void the warranty. The product is designed for 12VAC transformers only.

## SAVE THESE INSTRUCTIONS

## Section 2. Package Contents



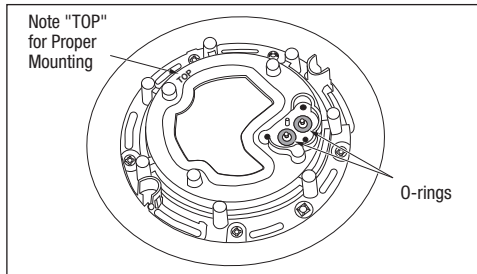
SLX Light Engine - Concrete	
1	SLX Light
2	Light Plug Mount Kit (P/N 20350)
3	Mounting Screws Kit (P/N 13529) - concrete and fiberglass surface mounting only

Table 1. Light Kit Contents

SLX Light Engine - Flush Mount	
1	Cable Light 2.5m (P/N 20349)
2	Solder Splice
3	Heatshrink (glued)

Table 2. Cable Light (2.5m) Kit Contents

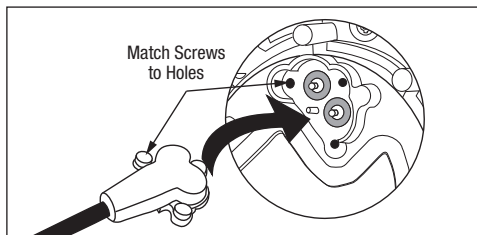
## Section 3. Light Engine Preparation



**Figure 1. SLX for Concrete - Back of Light Engine**

1. Turn the SLX light onto its cover to view the underside and connection port.
2. Remove the red protective cap from the cable plug. Discard the three screws and the O-Rings.
3. Remove the light engine from its packaging. Insert the two O-Rings (from kit P/N 20350) into the grooves on the back of the light and double-check that they are positioned correctly, as shown in *Figure 1* and *Figure 2*.
4. Align the plug with the socket on the light and use the three screws (from kit P/N 20350) to attach the plug securely to the light. Tighten these screws firmly by hand only; do not use a power tool. See *Figure 2*.

**NOTE:** Plug and socket can only be engaged in one position as depicted. Before applying any force to the plug and socket, check both parts are aligned as shown in *Figure 2*.



**Figure 2. Plug and Socket Alignment**

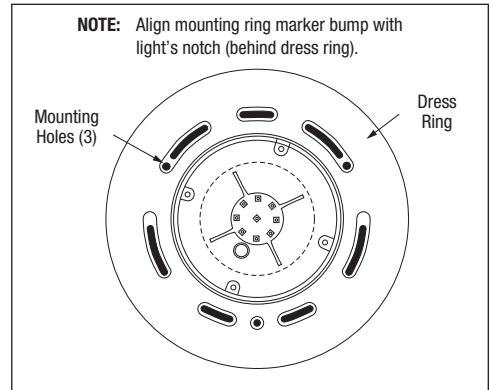
5. Double check that the cable gland inside the niche is tightened. Coil the remaining cable into the niche, leaving enough spare cable in the niche to be able to bring the light (with cable attached) above the waterline. This allows for easy servicing at a later date.
6. Locate the "TOP" marking on the rear of the light. See *Figure 1*.

**NOTE:** All of the preset screws in this product are tightened to precise torques during the manufacturing process. Please DO NOT tighten any screws as permanent product damage may result!

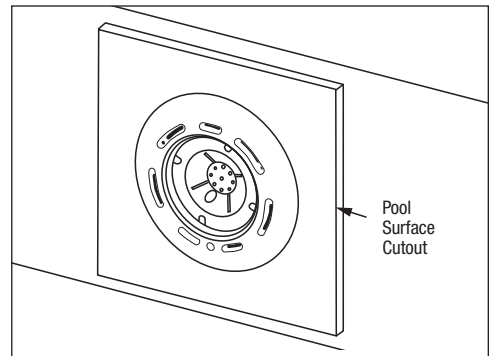
## Section 4. New Installation

### 4.1 Concrete Pool Installation

1. Insert the light into the niche, keeping the "TOP" marking at the top and aligning the screw holes of the light to those in the mounting ring.
2. Using the three screws (from kit P/N 13529), attach the light and dress ring to the niche using a manual screw driver. Do not over-tighten, as using power tools may cause damage. Before filling the pool check the light is functioning by switching it on for a few seconds. See *Figure 3*.



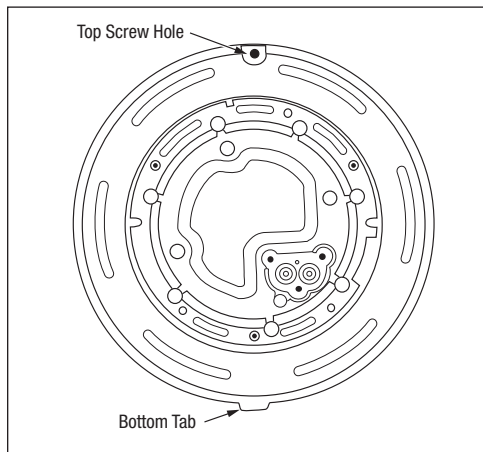
**Figure 3. SLX Concrete Installation**



**Figure 4. SLX Light Engine Concrete Installation**

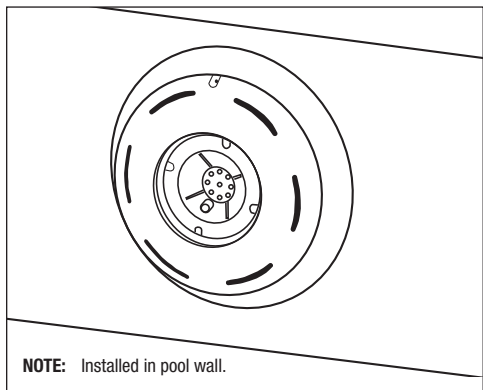
**NOTE:** Do not look directly at the light whilst it is operating.

## 4.2 Flush Mount Installation



**Figure 5. SLX Flush Mount - Rear of Light Engine**

1. Remove the pre-installed retaining screw from the top of the mounting plate. Retain this screw for later use.
2. On the face plate, identify and position the screw hole at the top and the protruding tab at the bottom. See *Figure 5*.
3. Insert the protruding tab into the slot at the bottom of the mounting plate by holding the light at an angle to the wall. Verify the fit, then seat the light into the mounting plate. Re-insert the original retaining screw to hold the light in position. Do not over-tighten, as using power tools may cause damage.
4. Before filling the pool, check the light is functioning by switching it on for a few seconds.



**Figure 6. SLX Flush Mount Installation**

**NOTE:** Do not look directly at the light whilst it is operating.

## Section 5. Existing Pool Retrofit

The SLX Light has been designed to be compatible with other light vendors' mounting methods. Installing your new SLX light will require two main steps:

1. Mount the light into the existing hardware;
2. Join the SLX power cable to the existing power cable.

### 5.1 Concrete and Fiberglass Niche Installation

1. Remove the old light from the concrete or fibreglass niche.
2. Test fit the new SLX light by following the steps for *Section 4.1, Concrete Pool Installation*. If your new SLX light fits, proceed with the installation. If the light doesn't fit, please contact AstralPool for further advice.

**NOTE:** DO NOT SUBMERGE the SLX light into pool water unless it has the cable fitted.

3. Follow the steps in *Section 5.3, SLX 2.5m Cable Connection* to join the SLX power cable to the existing power cable.
4. Perform final installation of the SLX light.

### 5.2 Flush Mount Installation

1. Remove the old light and flush mounting plate from the pool wall. As SLX lights will fit directly onto some existing mounting plates, trial fit the SLX light to the mounting plate.

If the light fits, then the old mounting plates can be reused if they are in good condition. If the existing mounting plate can't be used, then it can be used as a pattern to drill mounting and cable holes in the SLX mounting plate.

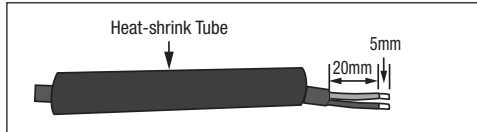
**NOTE:** DO NOT SUBMERGE the SLX light into pool water unless it has the cable fitted.

2. Follow *Section 4.2, Flush Mount Installation* instructions, which will guide you through installing your new SLX light.
3. Follow the steps in *Section 5.3, SLX 2.5m Cable Connection* to join the SLX power cable to the existing power cable.
4. Perform final installation of the SLX light.

### 5.3 SLX 2.5m Cable Connection

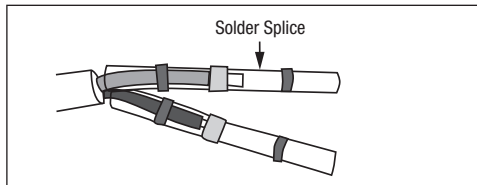
1. If necessary, cut off the old connector from the existing power cable. Trim the supplied SLX power cable so that, once joined, the new combined power cable has sufficient length to be able to reach above the surface of the water. This allows easier installation and servicing. Excess cable can be removed if desired.

- Trim the ends of both of the cables to be joined as shown. Note that if either cable has solder on the cables this section should be cut off so that the bare wires are exposed.
- Ensure that the cables to be joined are clean and dry in the area around the proposed joint. If the cable isn't clean, it may be possible to trim the cable until a clean area is reached. Otherwise, the cable can be lightly rubbed with sandpaper to remove concrete residues etc.



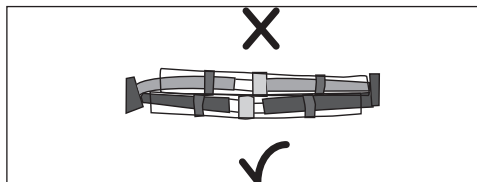
**Figure 7. Apply Heat-shrink Tube**

- Slide the heat-shrink tube onto the longest cable and well away from the joint. This tube has to be kept clear of the solder splices when they are being heated. See *Figure 7*.
- Fit one of the solder splices to each of the two wires of the old cable. See *Figure 8*.



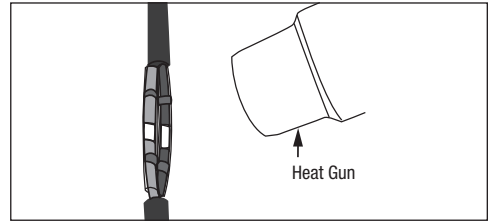
**Figure 8. Fit Solder Splice to Wire Ends**

- Slide the wires from the new cable into the solder splices and position each splice so that the silver coloured solder ball is positioned over where the two (2) wires join. See *Figure 9*.



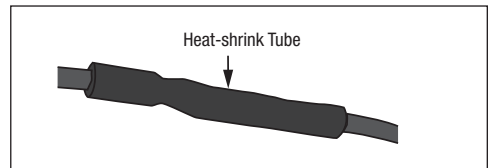
**Figure 9. Proper and Improper Solder Ball Positions**

- Using a heat gun on Medium to High heat, gently heat the centre of the solder splices until the solder ball melts and runs into the wire. Take care to only heat around the solder ball as excess heat can damage the cable. Check that the red seals next to the solder balls have also melted. See *Figure 10*.



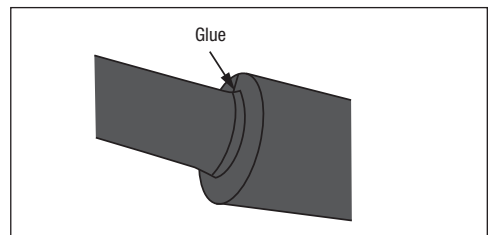
**Figure 10. Heating Solder Splices**

- Slide the heat-shrink tube over the joint, ensuring that the heat-shrink tube covers each end of the joint evenly and start to heat the tubing from the centre outwards. Continue to heat the centre until the tube starts to decrease in size.
- Continue heating the heat-shrink tube towards the ends but be CAREFUL not to heat the cables directly as they can be DAMAGED. See *Figure 11*.



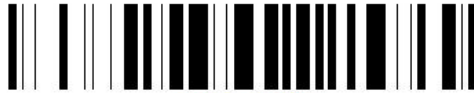
**Figure 11. Proper Heat-shrink Tube Application**

- Once the heat-shrink tube has shrunk completely the glue from inside of it should be visible on the ends. See *Figure 12*.



**Figure 12. Completed Heat-shrink Tube Application**

- Leave the completed joint to COOL for five (5) minutes to ensure that the glue seal isn't damaged. Once cooled, momentarily power the light to confirm that the connection is sound.



H0812300

### **Fluidra Group Australia Pty Ltd**

1 Herbert Place, Smithfield NSW 2164  
PO Box 7238 Wetherill Park NSW 1851, Australia  
ABN: 87 002 641 965  
AstralPool.com.au | 1300 186 875

### **Fluidra NZ Ltd**

13 Douglas Alexander Parade  
Rosedale Auckland 0632, New Zealand  
NZBN: 942 903 181 70759  
AstralPool.co.nz | 0800 807 665

### **A Fluidra Brand**

©2023 ASTRALPOOL is a registered trademark of FLUIDRA COMMERCIAL,  
S.A.U., used under license. This document is subject to change without notice.

H0812300\_REVA