



## SLX Concrete Niche Assembly

### **WARNING**

**FOR YOUR SAFETY** – This product must be installed and serviced by a contractor who is licensed and qualified in pool equipment in accordance with the latest applicable version of AS/NZS 3000, along with any other applicable local or council codes/standards. Before installing this product, read and follow all warning notices and instructions that accompany this product. Failure to follow warning notices and instructions may result in property damage, personal injury, or death. Improper installation and/or operation may void the warranty.

Improper installation and/or operation can create unwanted electrical hazard which may cause serious injury, property damage, or death.

**ATTENTION INSTALLER** – This manual contains important information about the installation, operation and safe use of this product. This information should be given to the owner/operator of this equipment.

<p>WARRANTY REGISTRATION</p>	<p>Record your equipment details here for quick reference:                  Model No. : _____                  Serial No. : _____</p>
	<p>AUSTRALIA WARRANTY:                  For full warranty terms and conditions and to register your warranty, visit <a href="http://www.astralpool.com.au/warranty">www.astralpool.com.au/warranty</a> and complete your details.                  ◀ Or scan the QR code to go directly to the registration page.</p>
	<p>NEW ZEALAND WARRANTY:                  For full warranty terms and conditions and to register your warranty, visit <a href="http://www.astralpool.co.nz/warranty">www.astralpool.co.nz/warranty</a> and complete your details.                  ◀ Or scan the QR code to go directly to the registration page.</p>

EQUIPMENT INFORMATION RECORD	
Date of Installation	_____
Installer Information	_____
Model	_____
Notes	_____
	_____
	_____

## Table of Contents

**Section 1. Important Safety Instructions .... 4**  
**Section 2. Technical Specifications..... 4**  
**Section 3. Package Contents..... 5**  
**Section 4. Concrete Niche Installation..... 5**

## Section 1. Important Safety Instructions

### READ AND FOLLOW ALL INSTRUCTIONS

#### ⚠ WARNING

**RISK OF ELECTRICAL SHOCK OR ELECTROCUTION.** This underwater niche must be installed by a licensed or certified electrician in accordance with the National Electrical Code and applicable local codes and ordinances. Improper installation will create an electrical hazard, which could result in death or serious injury to pool or spa users, installers, or others due to electrical shock, and may also cause damage to property. Read and follow the specific instructions below.

Before installing this underwater niche, read and follow all warning notices and instructions accompanying this niche. Failure to follow safety warnings and instructions can result in severe injury, death, or property damage. Visit our website [astralpool.com.au](http://astralpool.com.au) to download additional copies of these instructions.

#### NOTICE

The AstralPool Pool and Spa niches are intended for installation in fresh water and salt water swimming pools and spas. It is important to ensure that the lights in which the niches are installed are intended for their appropriate application, either fresh water or salt water.

#### ⚠ WARNING

Do NOT connect to a 24VAC transformer as this will result in failure and void the warranty. The product is designed for 12VAC transformers only.

## SAVE THESE INSTRUCTIONS

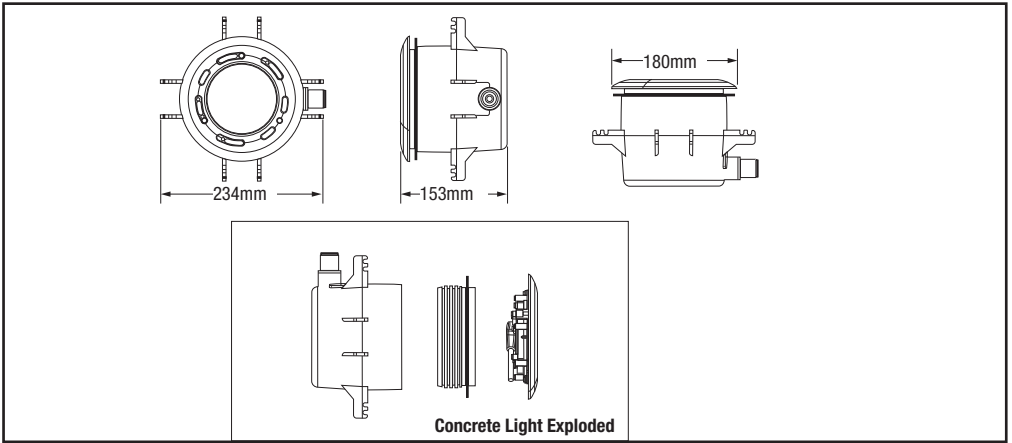
## Section 2. Technical Specifications

Lights and transformers must be installed in accordance to AS/NZS 3000 standards.

**NOTE:** In order to provide power to an AstralPool light, a light transformer is required (sold separately). AstralPool lighting transformers are recommended.

Suitable for	New Concrete Pools, Spas, Water Features, Catch Tanks
Fascia Colour	Clear (suit concrete)
Cable Lengths	20m or 35m cable
Cable Gauge	0.75mm <sup>2</sup> , 2 core
Detachable Cable	Yes (Plug kit is factory-fitted to supply cable)
Operating Voltage	12V AC; Voltage Tolerance 20%
Rating	IPX8 Fault Protection Thermal Cutout

	Multi-Colour
Power Consumption	30VA max
Light Colour	Program Dependent
Light Output	985lm



### Section 3. Package Contents

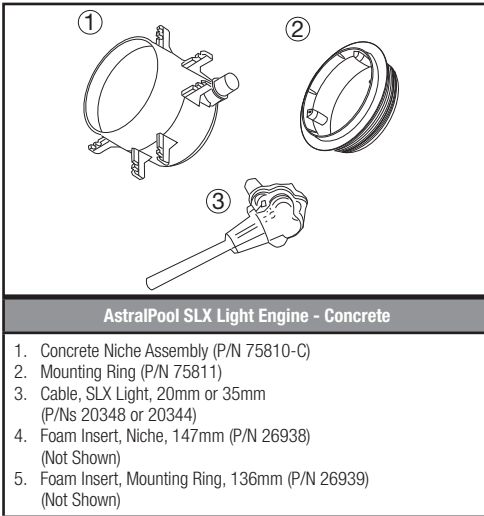


Table 1. Concrete Niche Assembly Contents

### Section 4. Concrete Niche Installation

**NOTE:** The first few steps of these instruction must be performed before the concrete is poured. Once poured, the remainder of the steps can then be taken.

- Using soft wire or cable ties, attach the niche (P/N 75810-C) to the steel reinforcement. The conduit inlet should be directed upwards as depicted. See Figure 1.

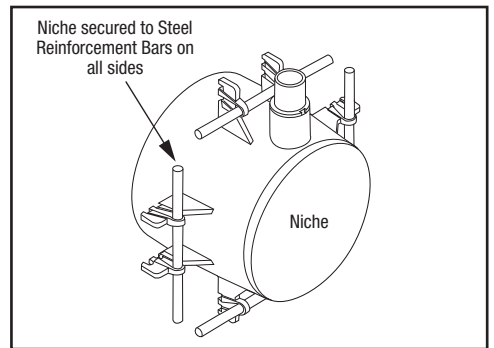


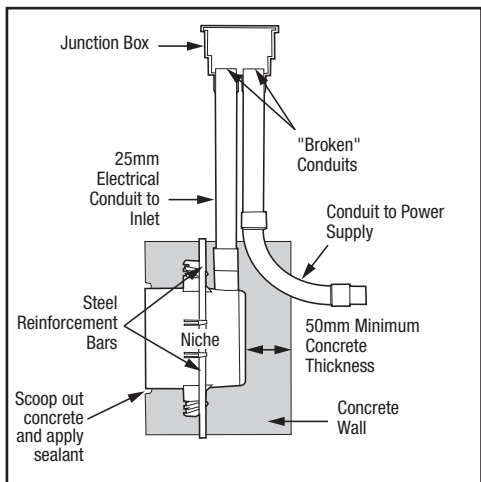
Figure 1. Securing SLX Concrete Niche

**NOTE:** For servicing and practical reasons, the light should not be installed deeper than 450mm below the water line. Install the niche so its front face will be flush with the inside face of the finished concrete wall.

- Glue a length of 25mm electrical conduit to the niche conduit socket using PVC solvent cement. Ensure the conduit extends above the water level of the pool. See Figure 2.

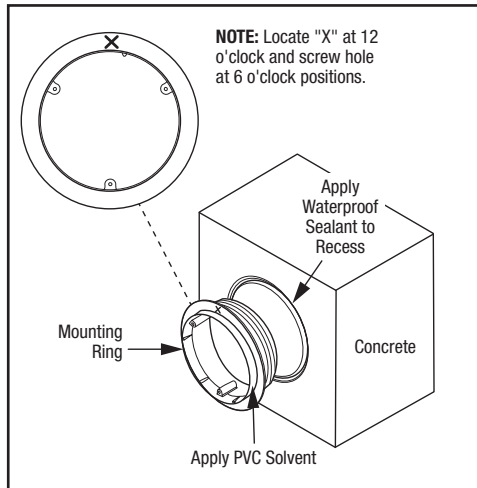
3. If a draw wire is not being used, the cable must be fitted simultaneously with the conduit installation. Starting at the niche, run the cable through the conduit to the power supply. Leave 1m of cable surplus inside the niche, complete with the end of the cable with the plug, and coil up inside the niche until ready to fit the light. Ensure the cable gland inside the niche is fully tightened around the cable.
4. Install a second conduit to return below ground level and away to the power supply. Both conduits should be glued into a draw box to allow for future service. See *Figure 2*.

**NOTE:** Ensure the conduits are "broken" (even if not using a junction box) before returning below water level to stop water siphoning from pool or spa,



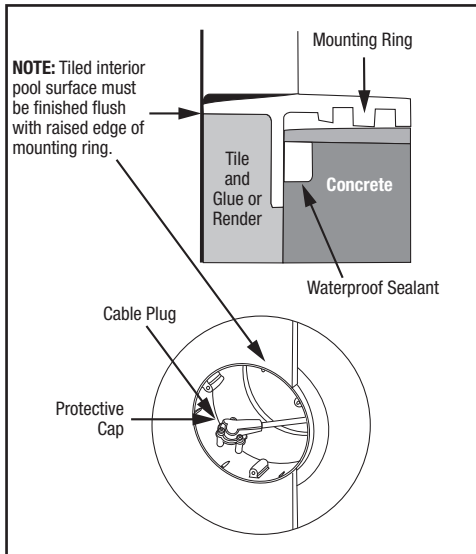
**Figure 2. Concrete Niche Installation**

5. Press the larger polystyrene foam insert (P/N 26938) into the niche's front opening. This temporary insert will stop dirt, concrete and debris entering the niche and will maintain roundness of the niche under the weight of the concrete. The foam insert must be a tight fit inside the niche.
6. Cover the entire niche surface with concrete in a uniform manner to ensure secure fixing. Ensure the concrete covers the niche all around and at the back – air pockets and bubbles in the concrete must be eliminated.  
Avoid creating thin sections of concrete to minimise the risks of cracking or leaks. It is imperative the front edge of the niche does not stand proud of the concrete or sit recessed to the concrete. Ensure there is at least 50mm of concrete behind the niche.
7. Smooth the concrete around the niche and make a recess around the rim of approximately 8mm, to allow for installation of a waterproof seal. See *Figure 3*.



**Figure 3. Mounting Ring for Concrete Niche**

8. When the concrete has dried, remove the foam cover from the niche. Fill the recess around the niche with a waterproof sealant (2 part epoxy). Keep the sealant flush with the niche front edge and concrete wall surface.
9. To install the light mounting ring into the niche:
  - Apply PVC cement to the swivel surface of the mounting ring (item 75811) and also to the inside of the niche where the mounting ring is likely to rest (approx. 20mm inside niche). See *Figure 3*.
  - For easier installation and maintenance of the light, it is highly recommended that the mounting ring be installed according to the following description. The mounting ring has a large "X" mark that should be installed into the niche such that the marker is at the 12 o'clock position. Refer to *Figure 3*, which highlights the marker and its correct position. Press the mounting ring into the niche, with the marker at 12 o'clock, until the ring sits flush against the pool concrete wall. Check for correct installation before the glue sets. See Note in *Figure 3* for correct orientation.
10. Press the second, smaller polystyrene foam cover (item 26939) into the mounting ring. This will prevent dirt and debris entering the niche during rendering or tiling and will also help maintain roundness under the weight of the tiles.
11. Now apply the render or tiles, ensuring that the finished tile/render surface is level with the front edge of the mounting ring. See *Figure 4*.



**Figure 4. Concrete Niche Final Installation Steps**

### ATTENTION

Interior pool surface must finish flush with the raised edge of the mounting ring, or it will not be possible to properly install the light.

Do not install the light until the pool has been washed with acid.

Refer to the Power Pool and Spa LED Lights Installation Manual, P/N H0812300, for the installation process of the light engine into the Concrete Niche.



H0850100

### **Fluidra Group Australia Pty Ltd**

1 Herbert Place, Smithfield NSW 2164  
PO Box 7238 Wetherill Park NSW 1851, Australia  
ABN: 87 002 641 965  
AstralPool.com.au | 1300 186 875

### **Fluidra NZ Ltd**

13 Douglas Alexander Parade  
Rosedale Auckland 0632, New Zealand  
NZBN: 942 903 181 70759  
AstralPool.co.nz | 0800 807 665

### **A Fluidra Brand**

©2023 ASTRALPOOL is a registered trademark of FLUIDRA COMMERCIAL,  
S.A.U., used under license. This document is subject to change without notice.

H0850100\_REVA